



Slate matt engobe



Natural red



Rustic

ISO 9001
REGISTERED QUALITY SYSTEM • BCCA



Your local Koramic stockist

Wienerberger Export Division

Ter Bede Business Center
B-8500 Kortrijk, Belgium
T: + 32 (0) 56 26 43 31 | F: + 32 (0) 56 26 43 32
info@koramic-rooftiles.com | www.koramic.com

Clay Roof Tiles. Designed for Living.

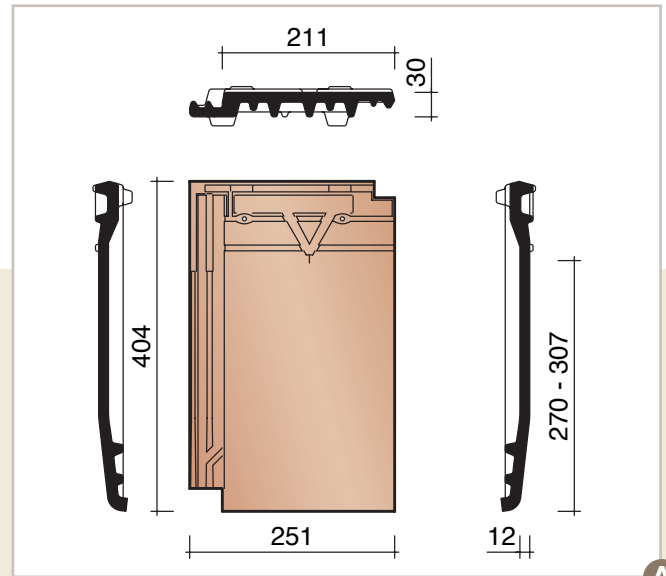
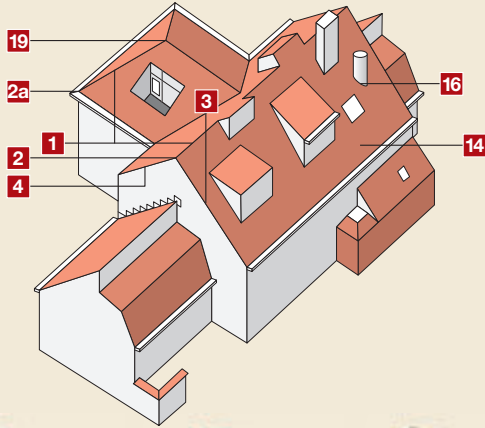


Datura

Flat interlocking tile



Datura



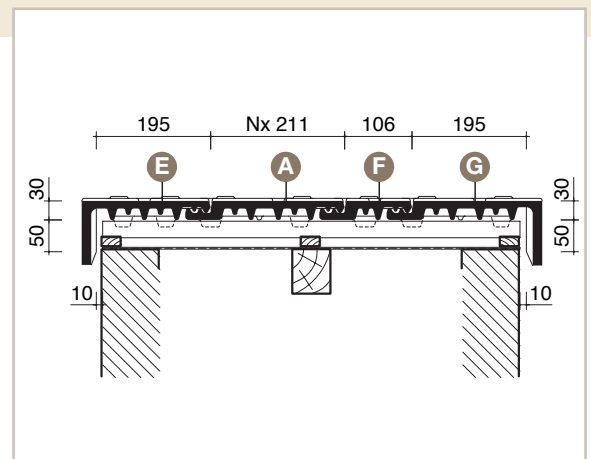
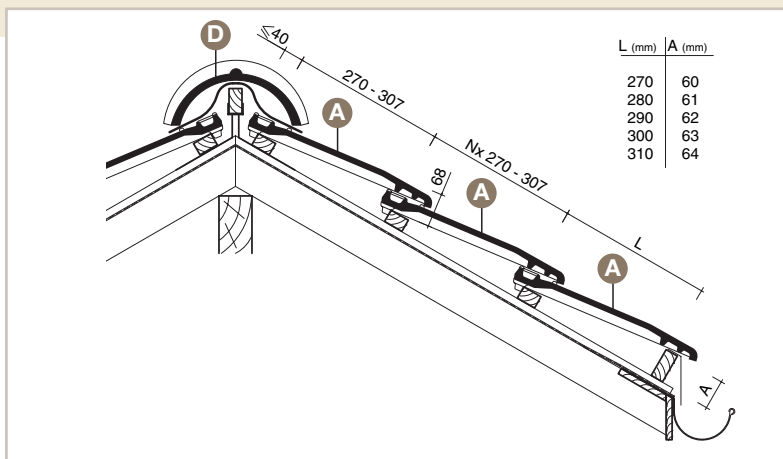
Manufactured to EN1304

TECHNICAL DATA



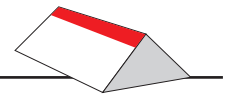
Data	Brand: Narvik
	Model: Datura
Minimum pitch	25°
Variable batten spacing	270 to 307 mm
Tiles/m ²	± 15.4
Weight/tile	± 3.15 kg
Weight/m ²	± 48.5 kg
Crushing strength	> 900 N (EN538)
Water impermeability	≤ 0.50 cm ³ /cm ² .d (EN539-1)
Frost resistance	guarantee for 30 years
Batten size	50 x 25 mm (BS 1202)

ROOF DETAILS



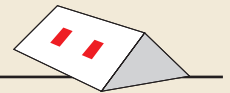
This document does not imply a contract. The colours used in this folder show the natural tint of our clay roof tiles subject to the limitations of the printing process. As clay roof tiles are natural materials, slight variations in colour may occur between batches of tiles. We recommend that they should be taken from several pallets at the same time and mixed at random on the roof. Wienerberger reserves the right to alter the range and the technical data. Dimensions are approximate.

RIDGES AND HIP TILES



<p>Angular ridge (3/m)</p> <p>Ref. No. 2800</p> <p>D 1</p>	<p>Angular begin ridge</p> <p>Ref. No. 2810</p> <p>2</p>	<p>Angular end ridge</p> <p>Ref. No. 2820</p> <p>2</p>	<p>Angular begin hip</p> <p>Ref. No. 2860</p> <p>2a</p>
--	--	--	---

VERGE & VARIOUS FITTINGS



<p>Cloaked verge tile left hand (1.65/m)</p> <p>Ref. No. 7080</p> <p>E 3</p>	<p>Cloaked verge tile right hand (1.65/m)</p> <p>Ref. No. 7090</p> <p>G 4</p>	<p>1/2 cloaked verge tile left hand (1.65/m)</p> <p>Ref. No. 7020</p> <p>3</p>
<p>1/2 cloaked verge tile right hand (1.65/m)</p> <p>Ref. No. 7030</p> <p>4</p>	<p>Half tile (3.3/m)</p> <p>Ref. No. 8010</p> <p>F 14</p>	<p>Half tile without side interlocking (3.3/m)</p> <p>Ref. No. 8040</p> <p>3</p>
<p>Left hand verge/Double roll tile (3.2/m)</p> <p>Ref. No. 8050</p> <p>3</p>	<p>Steam-exhausting tile Ø 100 mm</p> <p>Ref. No. 8740</p> <p>16</p>	<p>Cap for steam-exhausting tile Ø 100 mm</p> <p>Ref. No. 8750</p> <p>16</p>
<p>Connector 3 directions</p> <p>Ref. No. 5340</p> <p>19</p>		